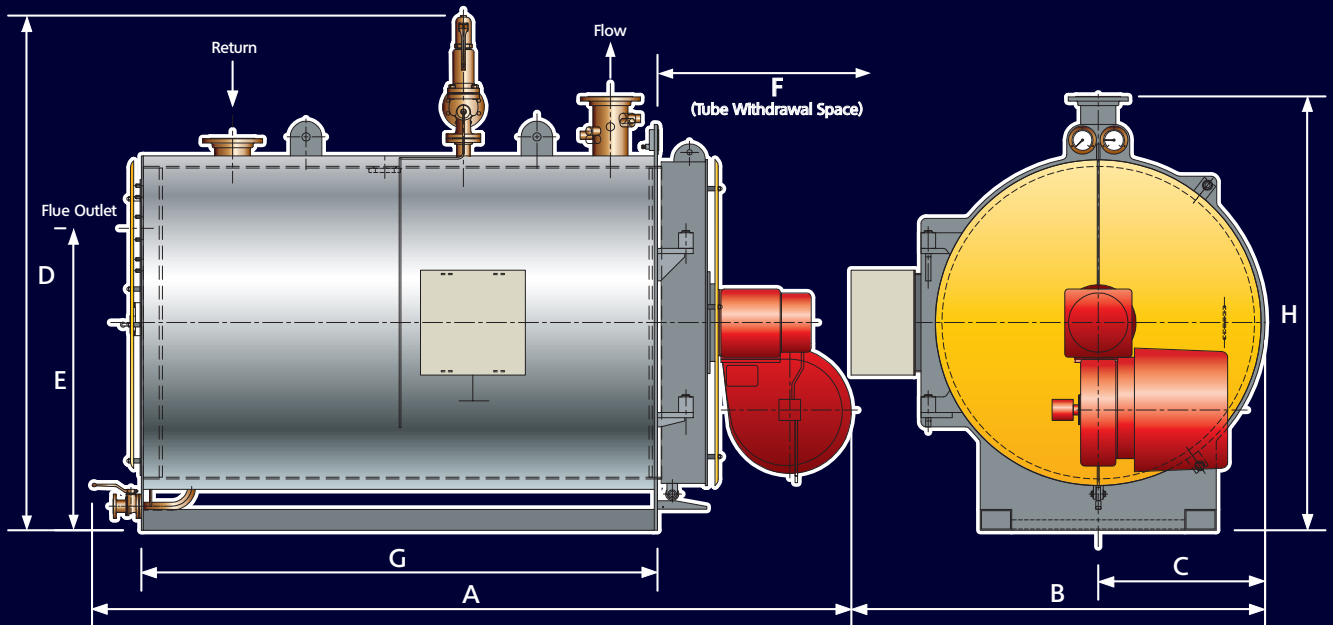


Cochran Hot Water Boiler

Model:
Clansman

The Clansman is a compact, cost-effective hot water boiler, built to Cochran's famous high standards. The Clansman features Cochran's low NOx, low noise combustion equipment as standard. The full wet back system delivers maximum efficiency; combined with a compact design and small boiler footprint; the Clansman is ideal for a wide range of commercial and light industrial heating applications such as hospitals, hotels and small to medium sized manufacturing sites.



Rating: 293 kW to 3516 kW (1.0x10⁶ BTU/hr to 12x10⁶ BTU/hr).

Standard Working Pressures: 4.5 Bar, with designs available up to 9.3 Bar.

Boiler Ratings		kW	293	366	440	586	732	879	1025	1172	1465	1758	2344	2930	3516	
	kCal/h x10 ³		252	314	378	504	629	756	881	1008	1260	1512	2016	2520	2520	
	BTU/h x10 ⁶		1.00	1.25	1.50	2.00	2.50	3.00	3.50	4.00	5.00	6.00	8.00	10.00	12.00	
Dimensions	Oil	A	mm	2278	2328	2381	2616	2765	2911	3016	3066	3320	3420	3570	4000	4100
	Gas	A	mm	2278	2481	2534	2936	3085	3231	3358	3408	3660	3740	3890	4039	4139
		B	mm	1105	1105	1155	1505	1425	1565	1565	1685	1750	1940	1940	1960	1985
		C	mm	540	540	565	590	600	620	665	680	715	820	885	950	975
		D	mm	1335	1335	1430	1540	1600	1600	1735	1765	1765	2340	2530	2660	2710
		E	mm	799	803	832	898	898	910	969	1017	1042	1161	1265	1355	1377
		F	mm	1450	1500	1550	1700	1800	2000	2100	2150	2300	2400	2550	2800	2900
		G	mm	1508	1558	1608	1758	1858	2058	2158	2208	2358	2460	2610	2860	2960
	H	mm	1350	1350	1400	1520	1530	1530	1640	1670	1735	1910	2090	2220	2270	
Rec. Chimney Dia.	mm		145	162	180	205	230	255	280	290	330	355	405	455	510	
Sfy.Valve Exh.Dia.	BSP/mm		1.25"	1.25"	1.5"	1.5"	2'	2'	2'	2.5"	2.5"	100	125	125	125	
Drain Valve Dia.	BSP		1"	1"	1"	1"	1"	1"	1"	1"	1"	1"	1"	1"	1"	
Flow Connection Dia.	mm		63.5	80	80	100	100	125	125	125	150	150	200	200	200	
Return Connection Dia.	mm		63.5	80	80	100	100	125	125	125	150	150	200	200	200	
Weight-Empty	Tonne		1.09	1.21	1.31	1.52	1.63	1.92	2.27	2.52	2.90	3.99	4.62	5.56	6.24	
Weight-Full of Water	Tonne		1.67	1.77	1.93	2.25	2.41	2.85	3.37	3.67	4.23	5.98	6.95	8.55	9.45	

Note: All Dimensions and weights are approximate only and are based on a boiler working pressure of 4.50 Bar G.

+44(0) 1461 202 111 www.cochran.co.uk

Cochran Ltd Newbie Works, Annan, Dumfries & Galloway, UK DG12 5QU.

©2013 Cochran Ltd. Version 2 07/2013

COCHRAN
Energy Solutions Worldwide